

PAMS Technical Documentation

NS*- 1/3 Series Transceivers

Non Serviceable Accessories

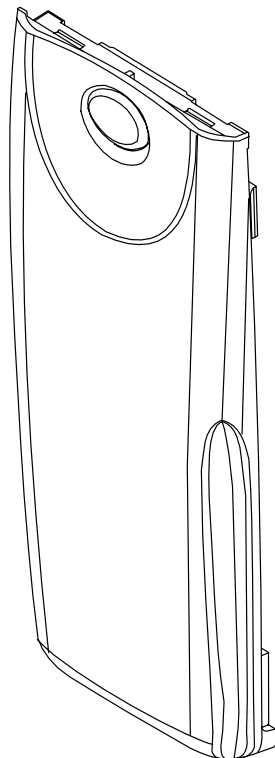
CONTENTS

	Page No
Slim Battery BLS-2	NS-4
Product Code	NS-4
Standard Battery BMS-2	NS-5
Product Code	NS-5
Standard Battery BMS-2S	NS-6
Product Code	NS-6
Vibrator Battery BMS-2V	NS-7
Product Code	NS-7
Slim Battery BLS-2H	NS-8
Product Code	NS-8
Extended Battery BLS-4	NS-9
Product Code	NS-9
AC Travel Charger ACP-7	NS-10
Product Codes	NS-10
Specification	NS-10
Performance Travel Charger ACP-8	NS-11
Product Codes	NS-11
Specification	NS-11
Fast Travel Charger ACP-9	NS-12
Product Codes	NS-12
Specification	NS-12
Cigarette Lighter Charger LCH-9	NS-13
Product Code	NS-13
Specification	NS-13
Desktop Stand DCH-9	NS-14
Product Code	NS-14
Specification	NS-14
Desktop Stand DCH-8	NS-15
Product Code	NS-15
Specification	NS-15
Mobile Holder MBC-1	NS-16
Product Code	NS-16
Mobile Holder MCC-1	NS-17
Product Code	NS-17
Power Cable PCH-4J	NS-18
Product Code	NS-18
Handsfree Microphone HFM-8	NS-18
Product Code	NS-18
Handsfree Speaker HFS-12	NS-19
Product Code	NS-19
Mounting Plate MKU-1	NS-20
Product Code	NS-20
Swivel Mount HHS-9	NS-20

Product Code	NS-20
Headset HDC-9	NS-21
Product Code	NS-21
Headset HDC-9P	NS-22
Product Code	NS-22
Belt Clip BCH-12	NS-23
Product Code	NS-23
External Antenna Cable XRC-1	NS-23
Product Code	NS-23
External Antenna Cable XRC-2	NS-24
Product Code	NS-24
Data Adapter Cable DAC-2	NS-24
Product Code	NS-24
Analog Data Adapter Cable DAR-3	NS-25
Product Code	NS-25
Data Adapter Cable DLR-3	NS-25
Product Code	NS-25

Slim Battery BLS-2

The BLS-2 is a Li-ion light battery with 900 mAh capacity.



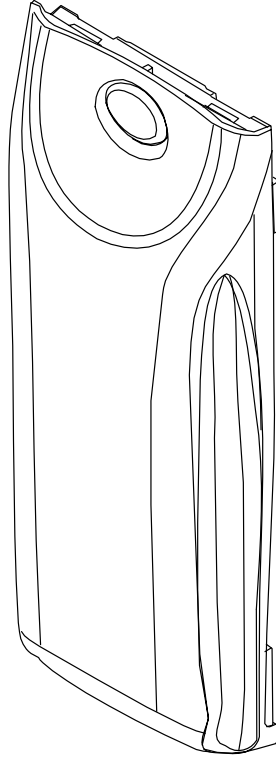
Product Code

Battery pack BLS-2:

0670206

Standard Battery BMS-2

The BMS-2 is a NiMH battery with 900 mAh capacity.



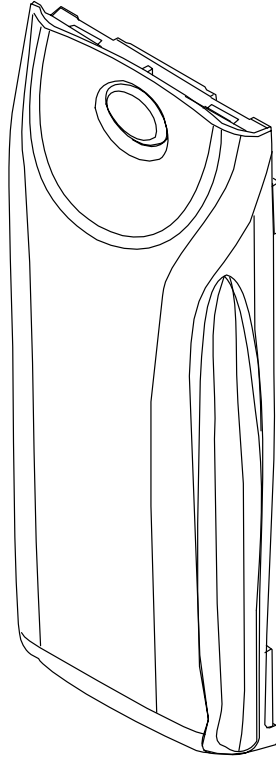
Product Code

Battery pack BMS-2:

0670203

Standard Battery BMS-2S

The BMS-2S is a NiMH battery with 900 mAh capacity. Slimmer than BMS-2.



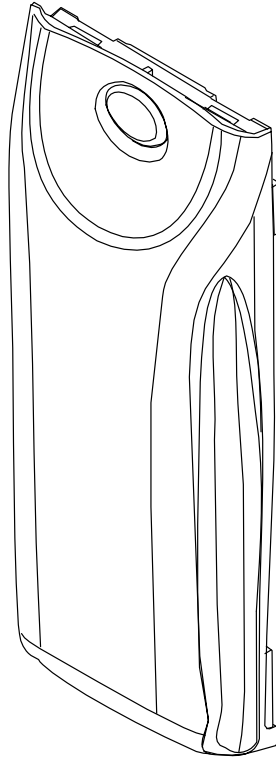
Product Code

Battery pack BMS-2S:

0670225

Vibrator Battery BMS-2V

The BMS-2V is a NiMH battery with 900 mAh capacity and vibrator.



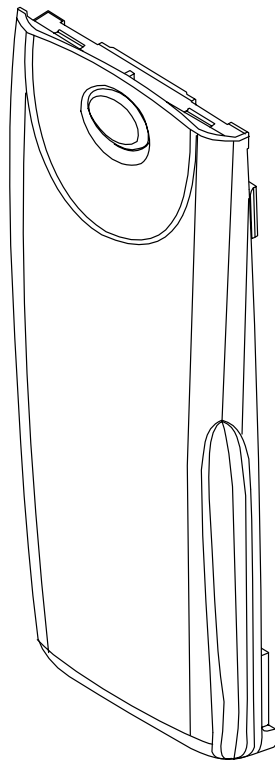
Product Code

Battery pack BMS-2V:

0670204

Slim Battery BLS-2H

The BLS-2H is a Li-ion light battery with 1000 mAh capacity.



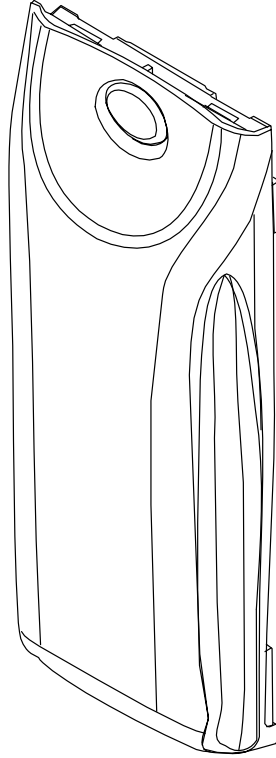
Product Code

Battery pack BLS-2H:

0670235

Extended Battery BLS-4

The BLS-4 is a Li-ion battery with 1500 mAh capacity.



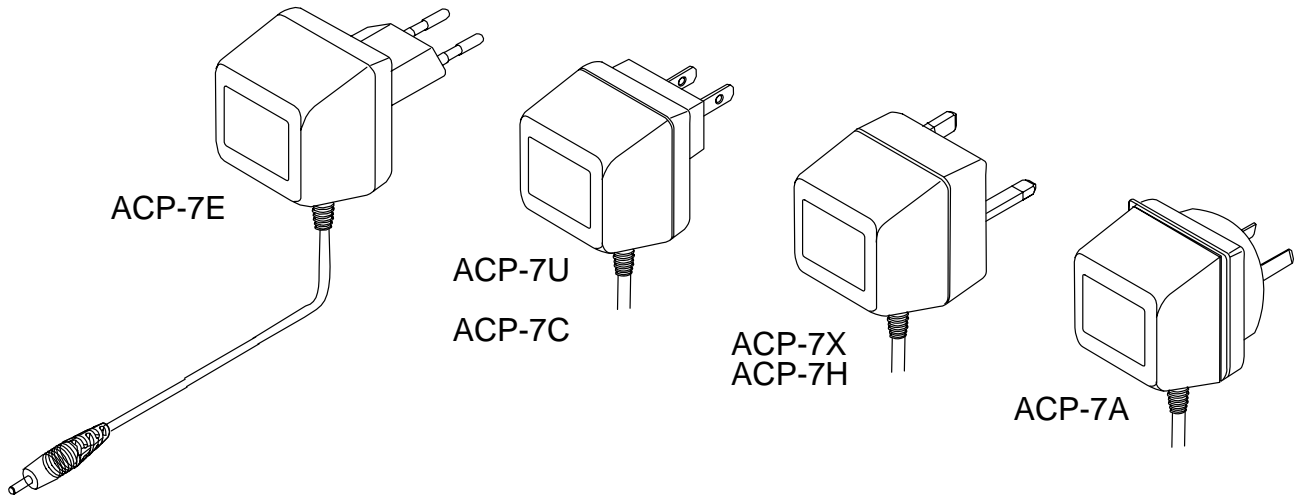
Product Code

Battery pack BLS-4:

0670207

AC Travel Charger ACP-7

The standard charger is available for different voltage levels and comes with different wall plugs. The standard charger can also be used as a power supply for the basic stand and desktop stand.



S0001160

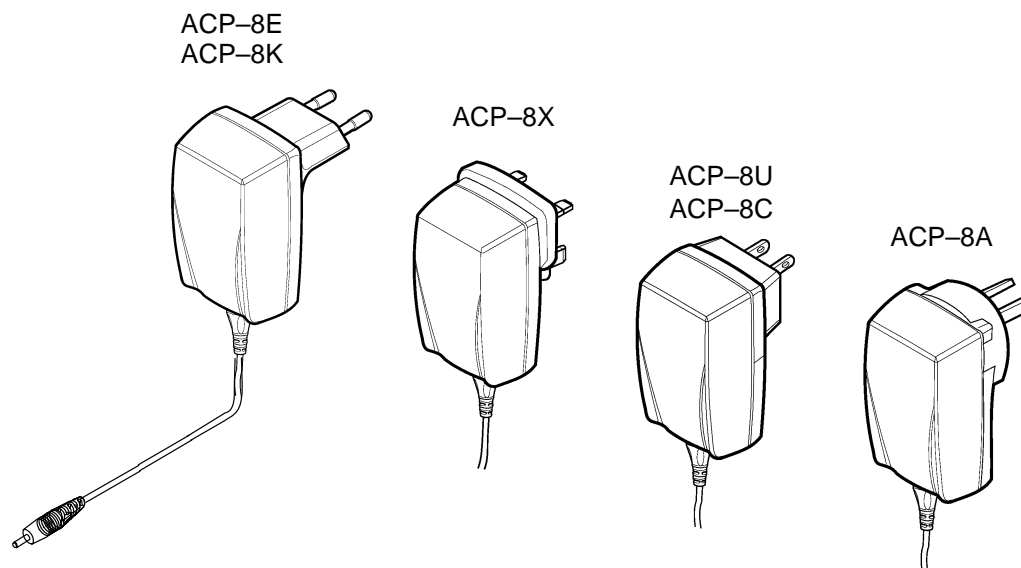
Product Codes

AC Travel Charger (Euro plug) 207-253 Vac	ACP-7E	0675144
AC Travel Charger (US plug) 108-132 Vac	ACP-7U	0675143
AC Travel Charger (US plug) 198-242 Vac	ACP-7C	0675158
AC Travel Charger (UK plug) 207-253 Vac	ACP-7X	0675145
AC Travel Charger (UK plug) 180-220 Vac	ACP-7H	0675146
AC Travel Charger (Australia) 216-264 Vac	ACP-7A	0675148

Specification

Output connectors:	3.5 mm DC plug, 2-pole
Protection:	PTC protection
Output Voltage /Current (typ)	7.6 V / 370 mA

Performance Travel Charger ACP-8



Product Codes

Performance Travel Charger Euro plug 90-264 Vac	ACP-8E	0675195
Performance Travel Charger Korea plug 90-264 Vac	ACP-8K	0675199
Performance Travel Charger UK plug 90-264 Vac	ACP-8X	0675197
Performance Travel Charger US plug 90-264 Vac	ACP-8U	0675196
Performance Travel Charger China plug 90-264 Vac	ACP-8C	0675211
Performance Travel Charger Australia plug 90-264 Vac	ACP-8A	0675214

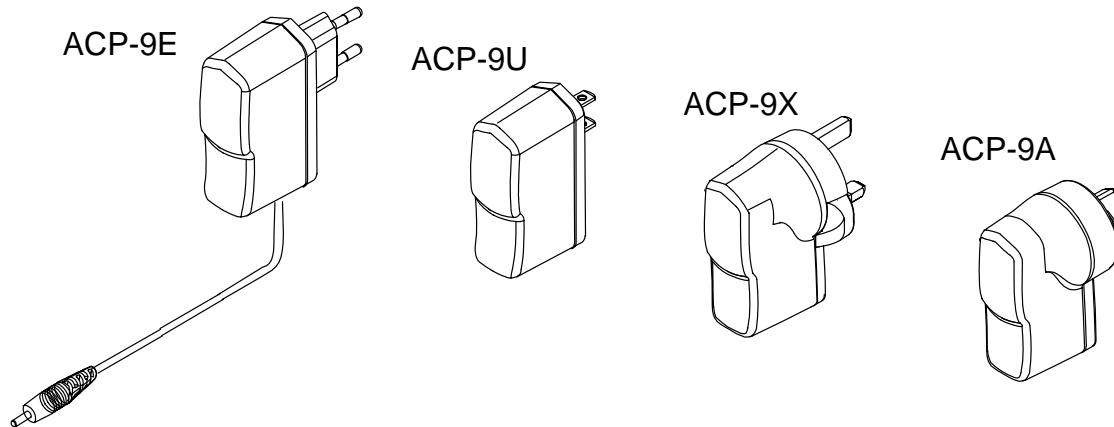
Specification

Dimensions:	70 x 40 x 56 mm
Weight:	75+35 (cable)g
Output Voltage:	6.0V + 0.3V/-0.7V
Input Voltage:	90 to 264VAC 50/60 Hz
Charging Time:	2h 30min for BML-3

Fast Travel Charger ACP-9

Operating within the voltage range 90 V...264 V AC (50 Hz...60 Hz), the Fast Travel Charger is practically current independent in normal office and household use. Like the standard charger, it is compatible with all battery options and is available for different wall sockets.

The Fast Travel Charger can also be used with basic stand and desktop stand.



Product Codes

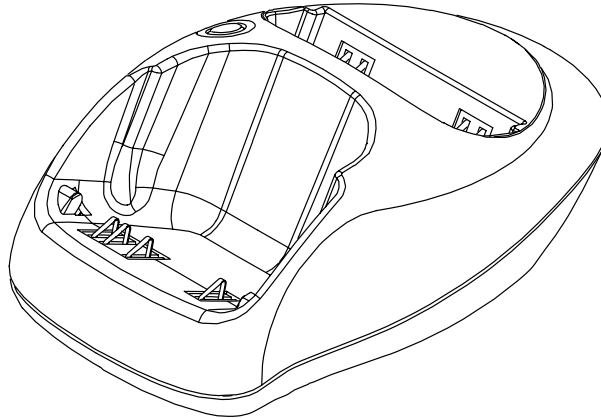
Fast Travel Charger (Euro plug) 90-264 Vac	ACP-9E	0675149
Fast Travel Charger (US plug) 90-264 Vac	ACP-9U	0675151
Fast Travel Charger (UK plug) 90-264 Vac	ACP-9X	0675150
Fast Travel Charger (Australia) 90-264 Vac	ACP-9A	0675152
Output cable PCC-1 (supplied with ACP-9):		0730076

Specification

Output connectors:	<i>3.5 mm DC plug, 3-pole (+, -, control)</i>
Protection:	<i>output current limiting, max. 850 mA</i> <i>output voltage limiting, max. 9.3 V (unloaded)</i>
Output voltage/current (typ):	<i>8.4 V / 800 mA</i>

Desktop Stand DCH-9

The desktop stand provides mounting place for both the phone and a spare battery.



Product Code

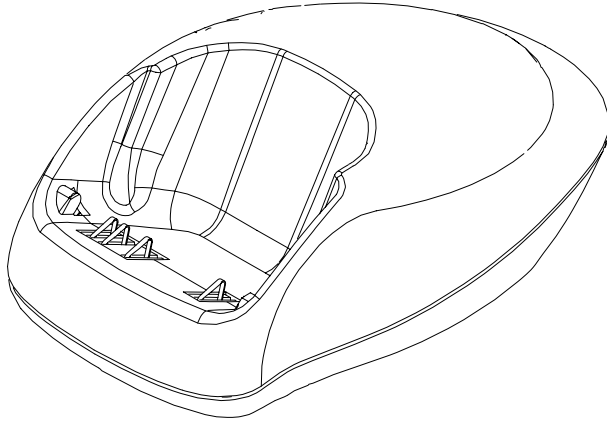
Basic stand DCH-9: 0700049

Specification

Connections: 3.5 mm DC jack
Charge control: MCU control for spare battery charging
Operation input voltage: 9... 16 V

Desktop Stand DCH-8

The desktop stand provides mounting place for both the phone only.



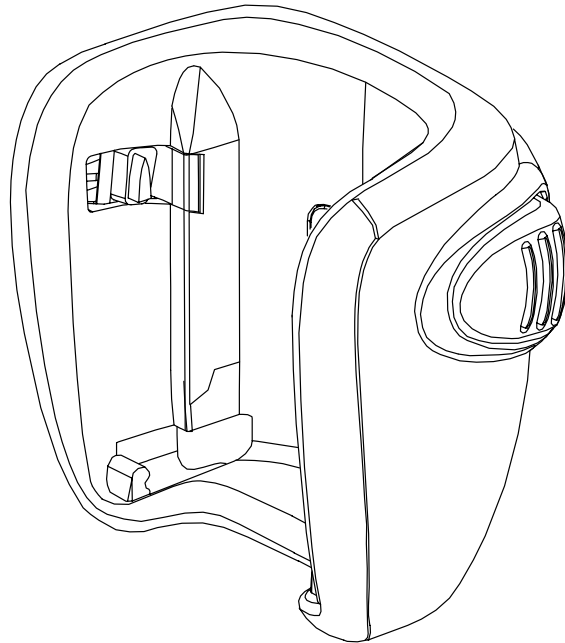
Product Code

Basic stand DCH-8: 0675179

Specification

Connections: 3.5 mm DC jack
Operation input voltage: 9...16 V

Mobile Holder MBC-1

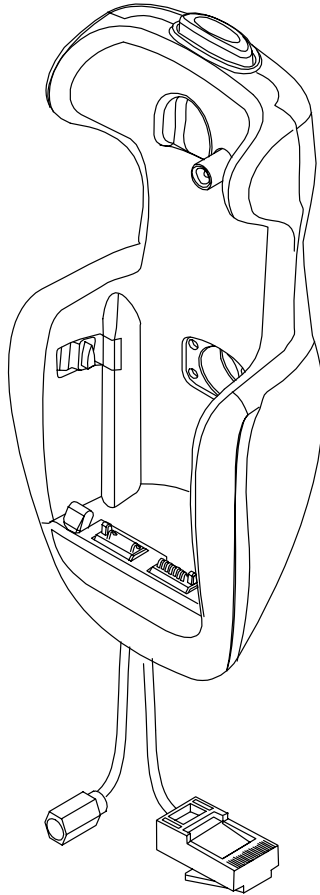


Product Code

Mobile holder MBC-1:

0700060

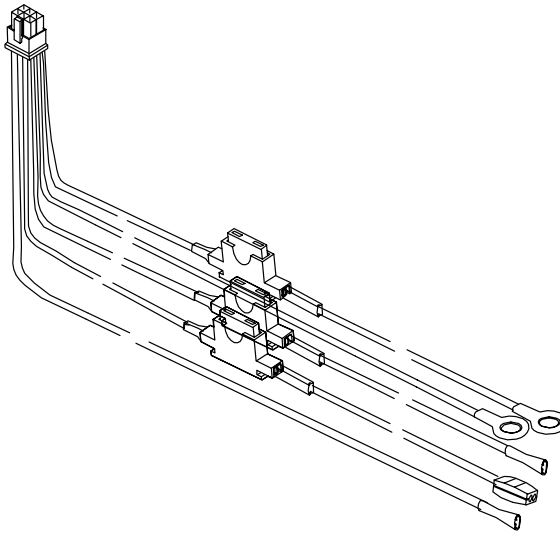
Mobile Holder MCC-1



Product Code

Mobile holder MCC-1: *0620043*

Power Cable PCH-4J



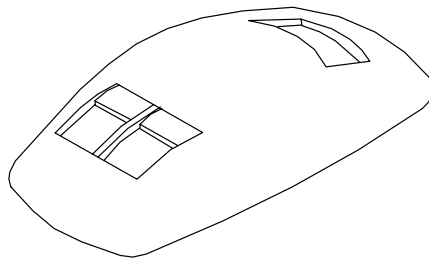
Product Code

Power cable PCH-4J:

0730055

Handsfree Microphone HFM-8

The HFM-8 microphone forms part of compact handsfree unit.

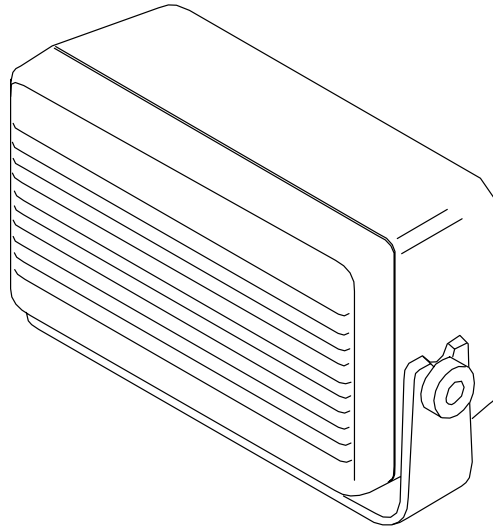


Product Code

Handsfree microphone HFM-8: *0690016*

Handsfree Speaker HFS-12

The HFS-12 speaker forms part of compact handsfree unit.

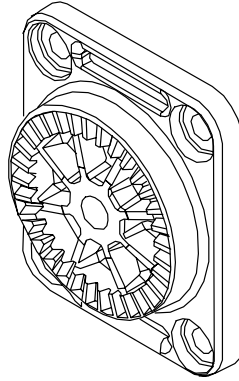


Product Code

Handsfree Speaker HFS-12: 0692008

Mounting Plate MKU-1

The MKU-1 mounting plate provides a method of fixing the phone holder, the compact handsfree unit or the handset to the vehicle interior.



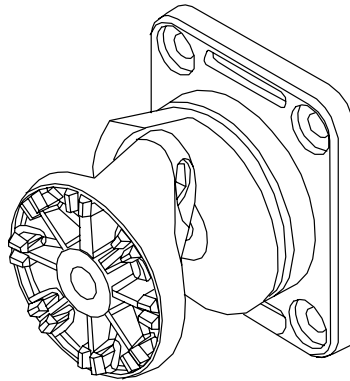
Product Code

Mounting plate MKU-1:

0620036

Swivel Mount HHS-9

The HHS-9 swivel mounting plate provides an alternative (to MKU-1) method of locating the phone holder, the handsfree unit ,or the handset.

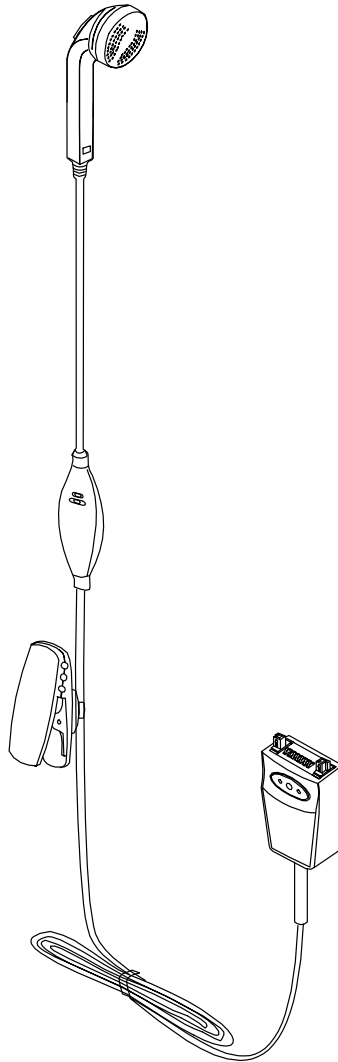


Product Code

Swivel mounting plate HHS-9:

0620037

Headset HDC-9



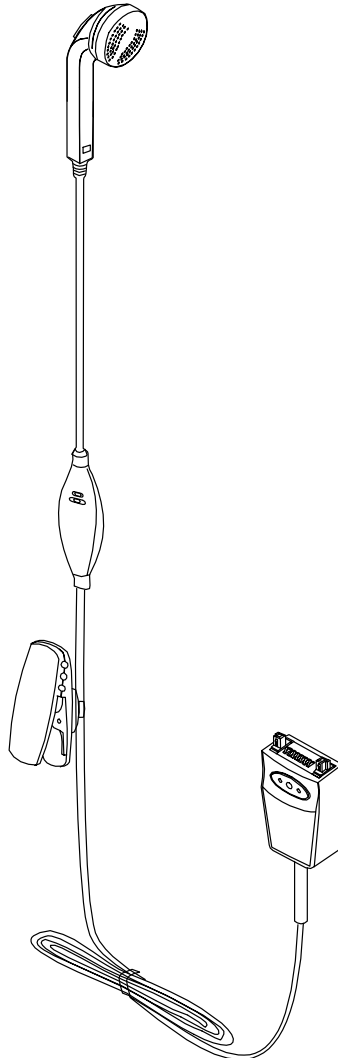
Product Code

Headset HDC-9:

0694053

Headset HDC-9P

The HDC-9P headset features a lower connector.

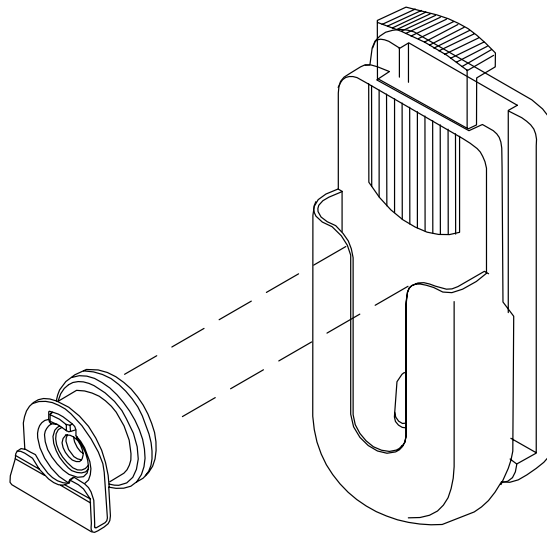


Product Code

Headset HDC-9P:

0694063

Belt Clip BCH-12



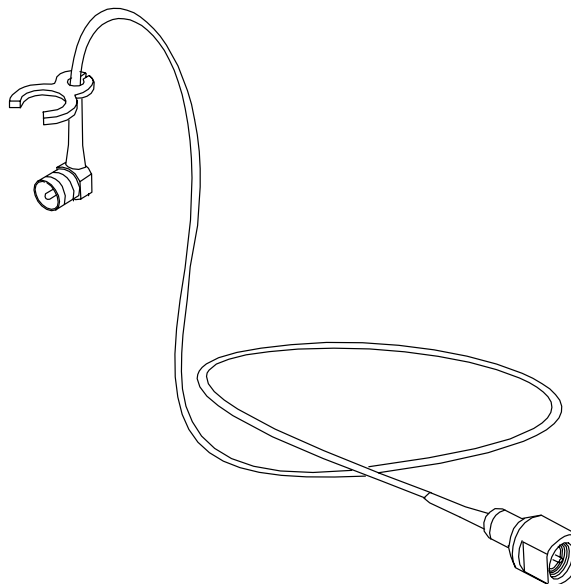
Product Code

Belt Clip BCH-12:

0720098

External Antenna Cable XRC-1

The External Antenna Cable is used to connect the phone to an external antenna.



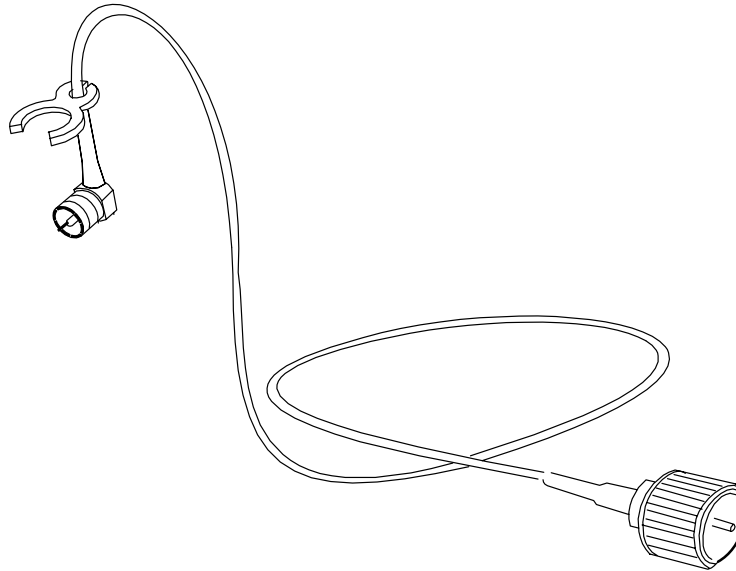
Product Code

External Antennacable XRC-1:

0730103

External Antenna Cable XRC-2

XRC-2 is a modular cable with N connector for RF measurements.



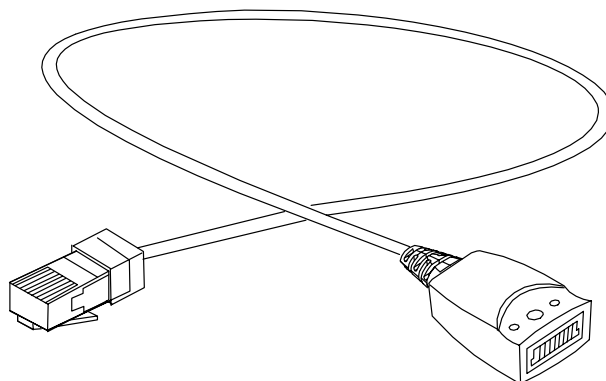
Product Code

External Antenna cable XRC-2: 0730180

Data Adapter Cable DAC-2

Data Adapter Cable DAC-2 is used with the Advanced Car Kit.

NOTE: Not used with NSC/W-3



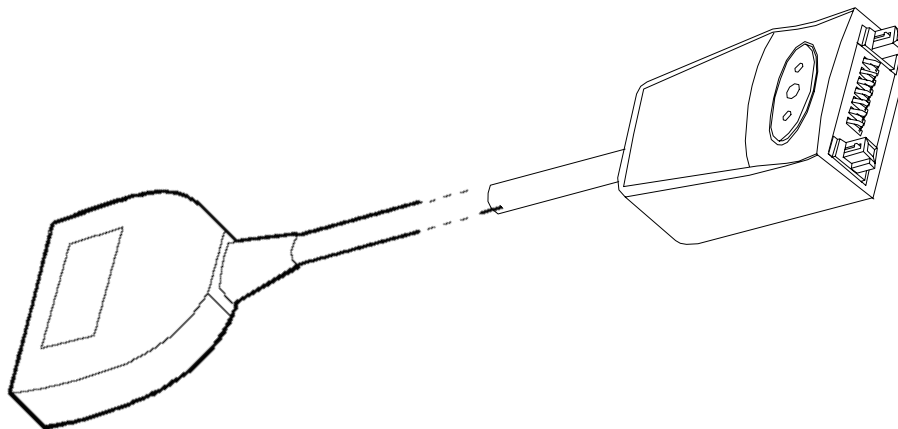
Product Code

Data Adapter Cable DAC-2: 0720100

Analog Data Adapter Cable DAR-3

The Analog Data Adapter Cable is used with phone and modem.

NOTE: Used with NSC/W-3

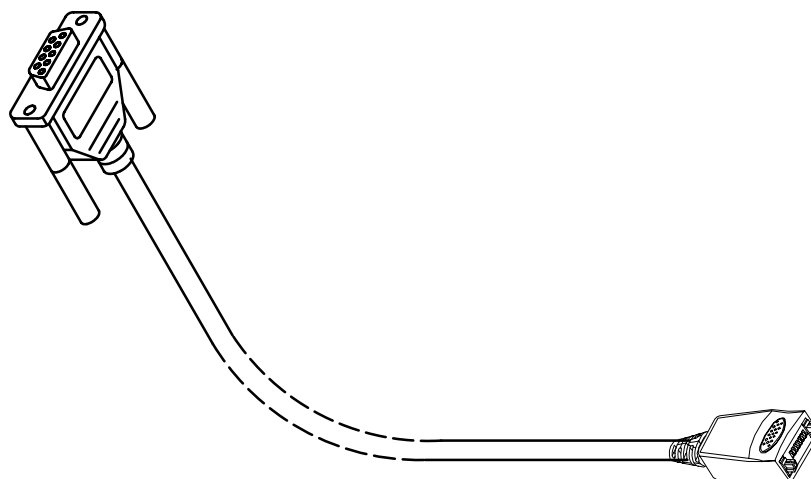


Product Code

Analog Data Adapter Cable DAR-3:

0730140

RS232 Adapter Cable DLR-3



Product Code

RS232 Adapter Cable DLR-3:

0730156

This page intentionally left blank.